



AUTOMOTIVE
DC/DC Converters
 PWM - regulated

2 Watt
Series: S7W2

Wide input range 1:2
 Case Style: SIP 7

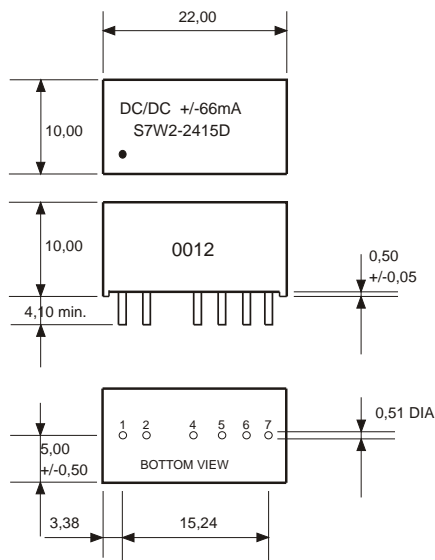
Electrical specifications:

Input voltage:	wide 1:2
Output voltage accuracy:	+/- 2%
Line regulation:	+/- 0,2%
Load regulation:	+/- 1%
Efficiency:	min. 65%
Output Ripple & Noise:	typ. 150mVp-p
Overload & short circuit protection:	fully protected
Ambient temperature:	-55°C to +85°C
Operating temperature max.:	115°C
Isolation voltage:	min. 1500V DC; min. 500V AC rms
Optional: Part-Nr. /H	Alternate pin configuration
Part-Nr. /5	External -IN & -OUT/COM connection allowed

Part - No. Single	Input Voltage	Output Voltage	Output current	Part - No. Dual	Input Voltage	Output Voltage	Output current
S7W2-1205 S7W2-1212 S7W2-1215 S7W2-1224	9 - 18V	5V 12V 15V 24V	400mA 166mA 133mA 83mA	S7W2-1205D S7W2-1212D S7W2-1215D S7W2-1224D	9 - 18V	+/- 5V +/-12V +/-15V +/-24V	+/-200mA +/- 83mA +/- 66mA +/- 42mA
S7W2-2405 S7W2-2412 S7W2-2415 S7W2-2424	16 - 36V	5V 12V 15V 24V	400mA 166mA 133mA 83mA	S7W2-2505D S7W2-2412D S7W2-2415D S7W2-2424D	16 - 36V	+/- 5V +/-12V +/-15V +/-24V	+/-200mA +/- 83mA +/- 66mA +/- 42mA
S7W2-4805 S7W2-4812 S7W2-4815 S7W2-4824	36 - 72V	5V 12V 15V 24V	400mA 166mA 133mA 83mA	S7W2-4805D S7W2-4812D S7W2-4815D S7W2-4824D	36 - 72V	+/- 5V +/-12V +/-15V +/-24V	+/-200mA +/- 83mA +/- 66mA +/- 42mA

Any other output voltages available

Example: 3,3V; 5,3V; 8V; 9V



PIN CONNECTION					
PIN	SINGLE	SINGLE A*	SINGLE /H*	DUAL	DUAL /H*
1	VCC	VCC	VCC	VCC	VCC
2	GND	GND	GND	GND	GND
3	NP	NP	NP	NP	NP
4	NC	-Vout	NP	-Vout	NP
5	-Vout	NC	-Vout	COM	-Vout
6	+Vout	+Vout	NC	+Vout	COM
7	NP	NP	+Vout	NP	+Vout

* For other pinning add "A" or "H" to the end of partnumber for example: S7W2-2405A, S7W2-2415D

ALL DIMENSIONS IN MM
 MILLIMETERS +/- 0,25mm
 All pins on a 2,54mm pitch
 Note: NP = No pin; NC = No connection;
 Dot denotes pin 1
 Input capacitor 4,7µF - 10µF is a must.