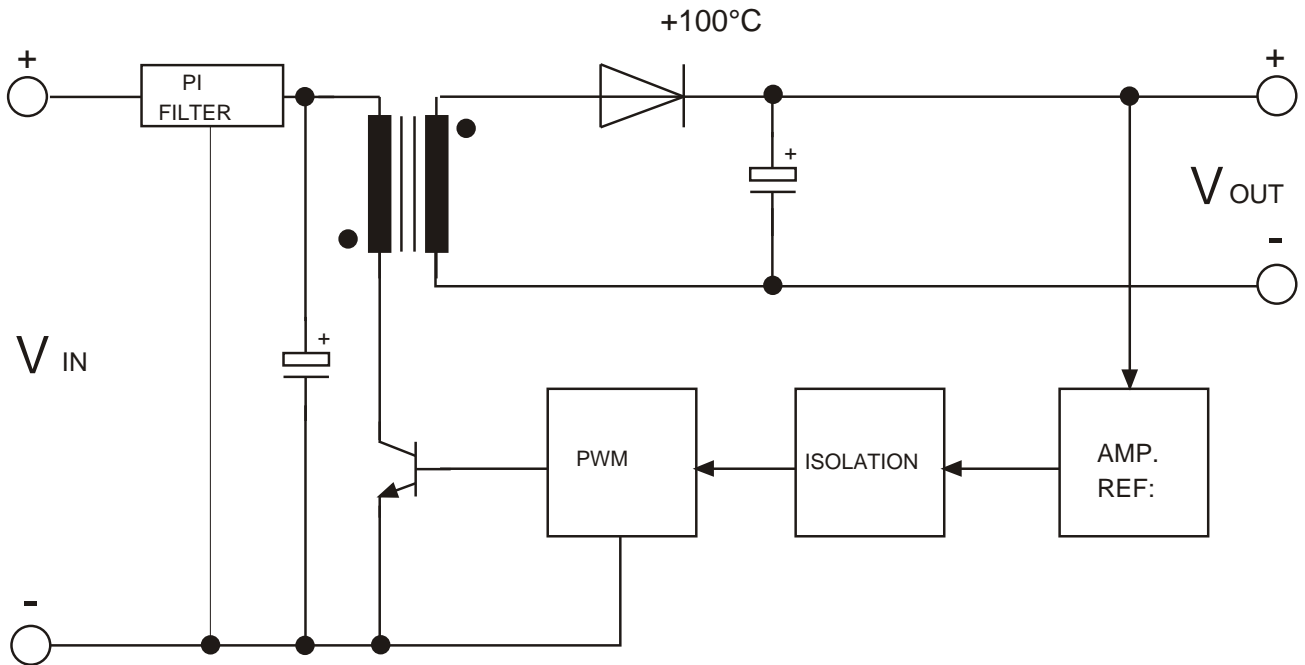




## INDUSTRIAL & AUTOMOTIVE DC/DC Converters

For applications where ambient- / roomtemperature may reach  
 $+71^{\circ}\text{C}$  or  $+85^{\circ}\text{C}$

while converter operating temperature may pass



Lowest Ripple & Noise is a must in A/D conversion systems.

DIP24  
Single, Dual & Triple Output

50,8mm x 50,8mm  
+/-10% or wide input range  
any Uout available

Beside these professional converters we offer low cost commercial converters too.