



INDUSTRIAL
DC/DC Converters

2x3W = 6W
Series: LHVI / 9

High Isolation

Unregulated

4000V AC RMS Continuously

Applications:
 - IGBT auxiliary supply
 - Medical application

Electrical specifications:

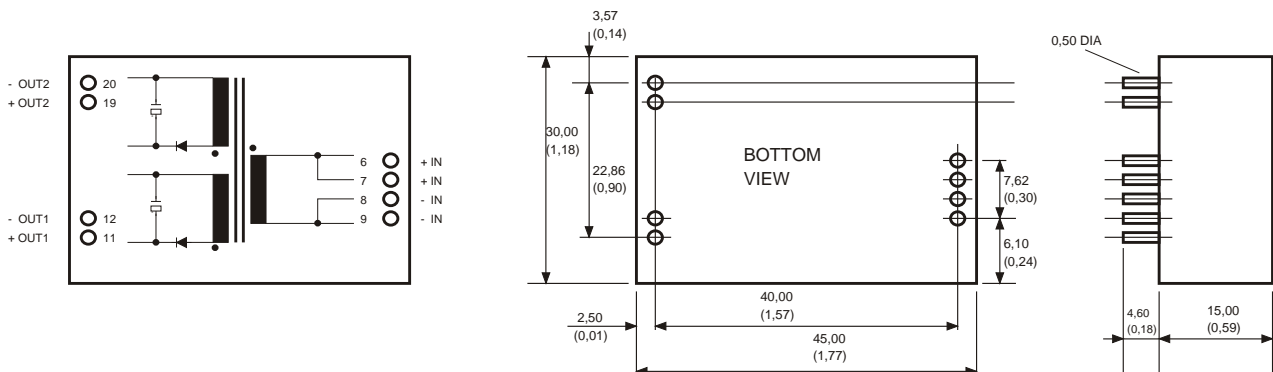
Output voltage accuracy: unregulated
 Short circuit protection: continuous
 Ambient temperature: -40°C to +71°C
 Isolation voltage: min. 4000V AC rms continuously
 Primary / Secondary: isolation test voltage 10 kV
 du/dt...>100kV/μs
 Secondary 1/ Secondary 2: isolation test voltage 10kV
 du/dt...>100kV/μs
 Capacitance Prim/Sec/Sec: typical <15pF
 Part-No.: /2 partial-discharge 2,3kV free (TE - frei)
 Part-No.: /5 5kV discharge free available

add isolation quality specifier to part-no. e. g. /2

Part-No.	Input Voltage DC	Output Voltage DC	Output current mA		Efficiency
LHVI-121515/9	10,8V - 13,2V	15V / 15V	U1 280mA 15,2V	U2 20mA 15,8V	80%

Zero-Load Condition 18,3V 15,4V ±0,4V

Additional 220μF Input & Output Capacitors recommended
 Ripple & Noise depend on load & external capacitors



CAUTION: NO INPUT POLARITY CHANGE ALLOWED!

ALL DIMENSIONS IN MM (INCHES)
 MILLIMETERS +/- 0,5mm
 (INCHES +/- 0,02")
 All pins on a 2,54mm pitch.