



INDUSTRIAL
DC/DC Converters

2x3W = 6W

Series: LHVI

Unregulated High Isolation
 4000V AC RMS Continuously

Applications:
 - IGBT auxiliary supply
 - Medical application

Electrical specifications:

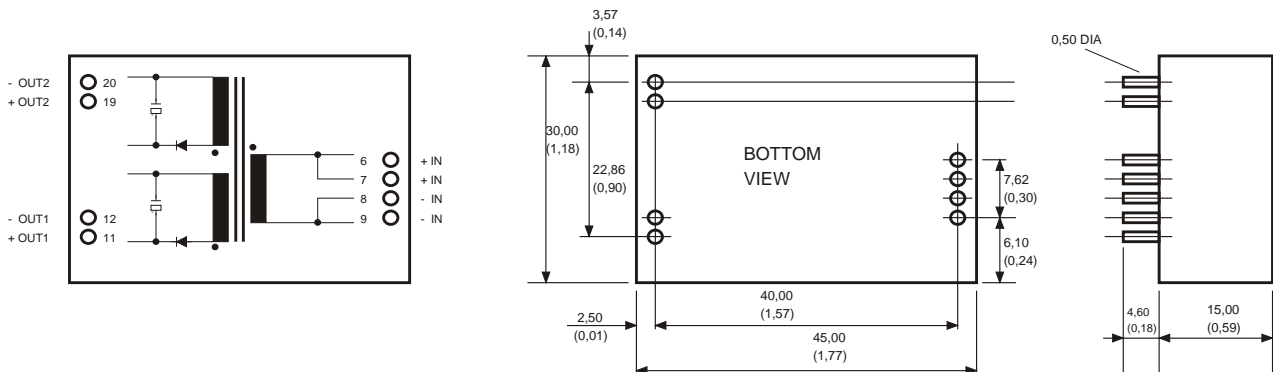
Output voltage accuracy: unregulated
 Short circuit protection: continuous
 Ambient temperature: -40°C to +71°C
 Isolation voltage: min. 4000V AC rms continuously
 Primary / Secondary: isolation test voltage 10 kV
 du/dt...>100kV/μs
 Secondary 1/ Secondary 2: isolation test voltage 10kV
 du/dt...>100kV/μs
 Capacitance Prim/Sec/Sec: typical <15pF
 Part-No.: /2 partial-discharge 2,3kV free (TE - frei)
 Part-No.: /5 5kV discharge free available

add isolation quality specifier to part-no. e. g. /2

| Part-No. | Input Voltage DC | Output Voltage DC | Output current mA | Efficiency |
|-------------|------------------|-------------------|-------------------|------------|
| LHVI-051515 | 4,75V - 5,5V | 15V / 15V | 200mA / 200mA | 75% |
| LHVI-121515 | 10,8V - 13,2V | 15V / 15V | 200mA / 200mA | 76% |
| LHVI-151515 | 13,5V - 16,5V | 15V / 15V | 200mA / 200mA | 76% |
| LHVI-241515 | 21,6V - 26,4V | 15V / 15V | 200mA / 200mA | 76% |
| LHVI-481515 | 43,2V - 52,8V | 15V / 15V | 200mA / 200mA | 76% |

any other IN & OUTPUT voltage available also with unequal output voltages

Additional 220μF Input & Output Capacitors recommended
 Ripple & Noise depend on load & external capacitors



CAUTION: NO INPUT POLARITY CHANGE ALLOWED!

ALL DIMENSIONS IN MM (INCHES)
 MILLIMETERS +/- 0,5mm
 (INCHES +/- 0,02")
 All pins on a 2,54mm pitch.