



**AUTOMOTIVE
 DC/DC Converters**

30 - 50 Watt

Series: TSD2

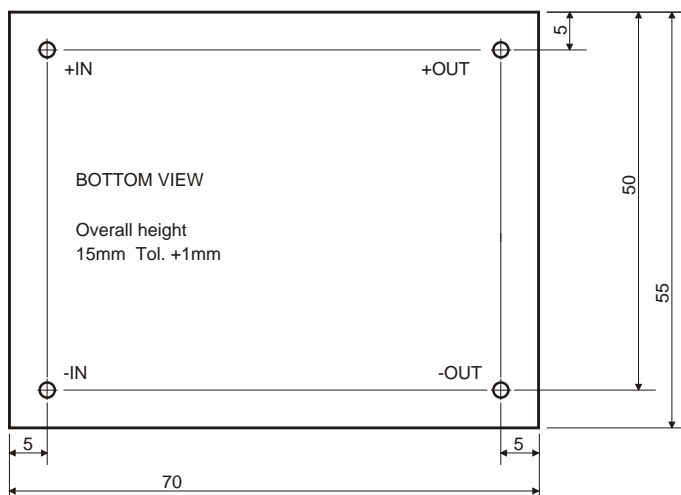
Wide input range 1:2

Step Down

Electrical specifications:

Input voltage:	18 - 36V
Output voltage accuracy:	+/- 3%
Line regulation:	+/- 1%
Load regulation:	+/- 3%
Efficiency:	88%
Ambient temperature:	-25°C to +71°C without derating
Operating temperature:	+105°C max.
Isolation voltage:	none
Short circuit protection:	continuous
Output ripple & noise:	max. 200mVpp
Low Voltage Lockout	

Part-No.	Input voltage		Output voltage	Output current
TSD2-2412	24V (18 - 36)	N O ISOLATION	12V Other voltages on request	3 A



NOTE: Pin size is 1mm diameter.
 No input polarity change allowed !

ALL DIMENSIONS IN MM
 Tolerance +/- 0,5mm