



**AUTOMOTIVE
 DC/DC Converters**

12 Watt

Series: FSD

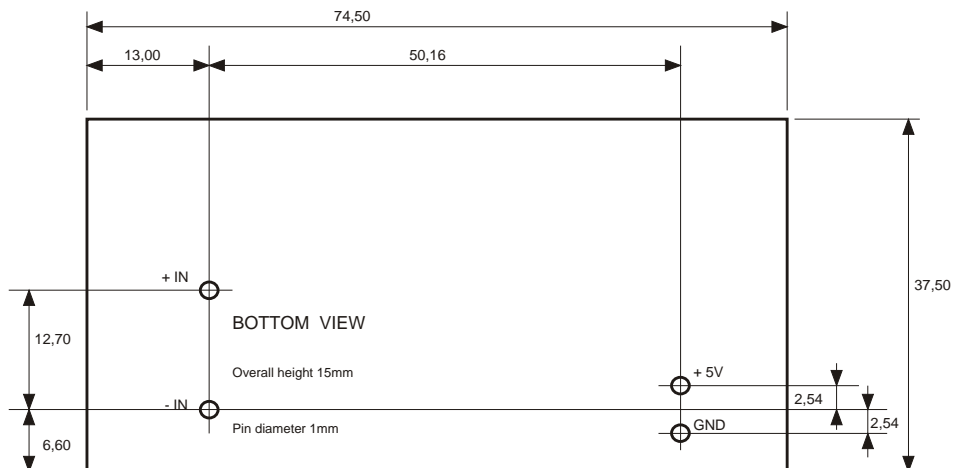
Wide input range

Step Down

Electrical specifications:

Input voltage:	5,5 - 24V
Output voltage accuracy:	+/- 3%
Line regulation:	+/- 0,5%
Load regulation:	+/- 1%
Efficiency:	72%
9,0 ... 24V: Ambient temperature	-40°C to +85°C without derating
5,5 ... 9V: Ambient temperature	-40°C to +60°C without derating
Isolation voltage:	none
Short circuit protection:	continuous
Output ripple & noise:	typ. 50mV
Low Voltage Lockout	

Part-No.	Output voltage		Output voltage	Output current
FSD-1205	12V (5,5 - 24)	N O I S O L A T I O N	5V	2,5A



ALL DIMENSIONS IN MM

Tolerance +/- 0,5mm